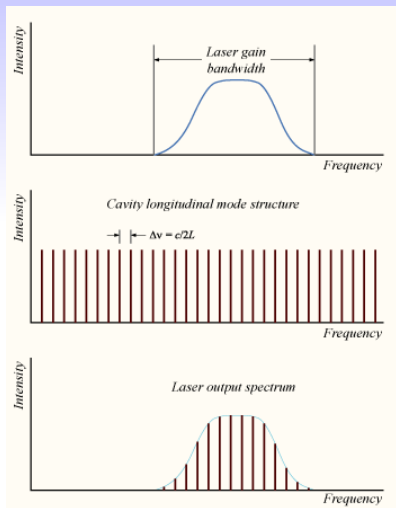
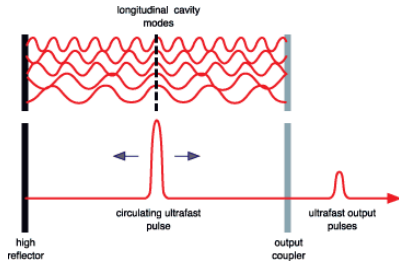
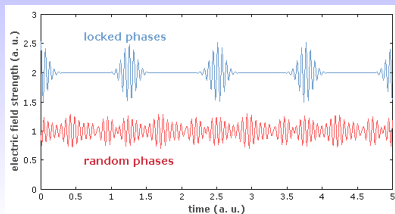


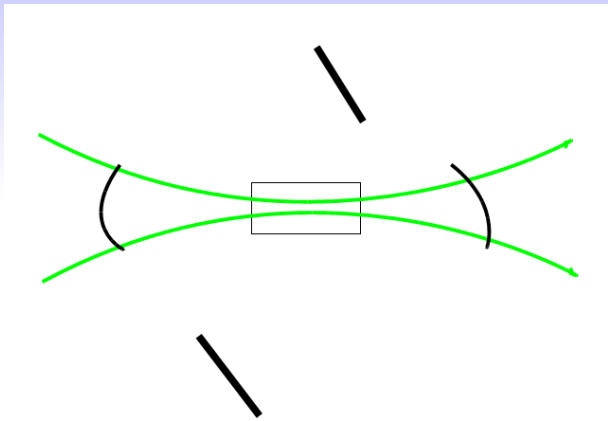
Laser Cavity Modes



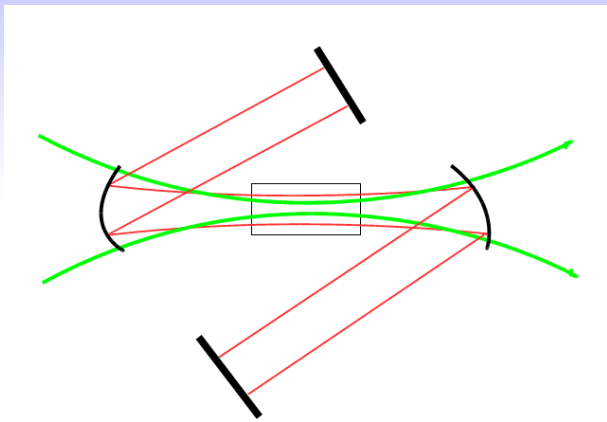
CW vs. Modelocked



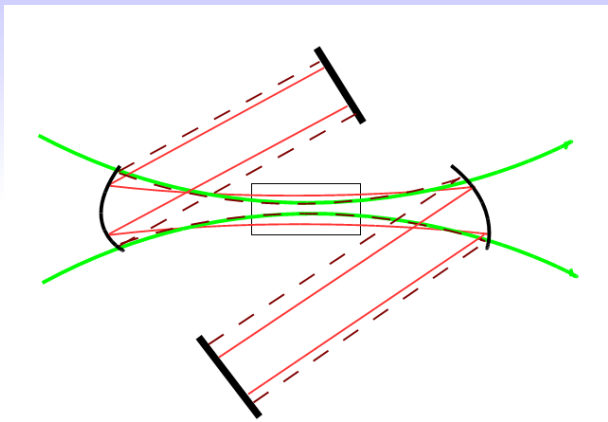
Kerr Lens Formation



Kerr Lens Formation



Kerr Lens Formation



Self-phase modulation

