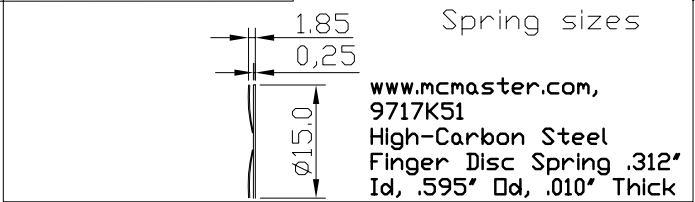
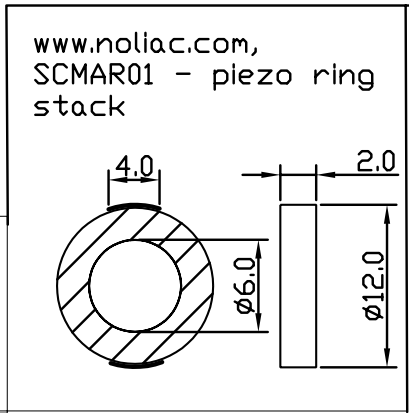
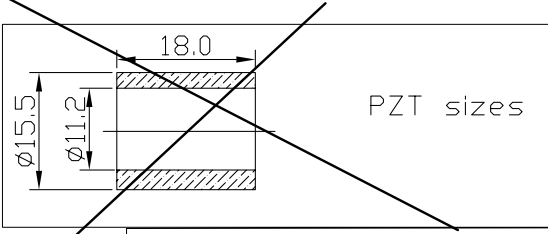
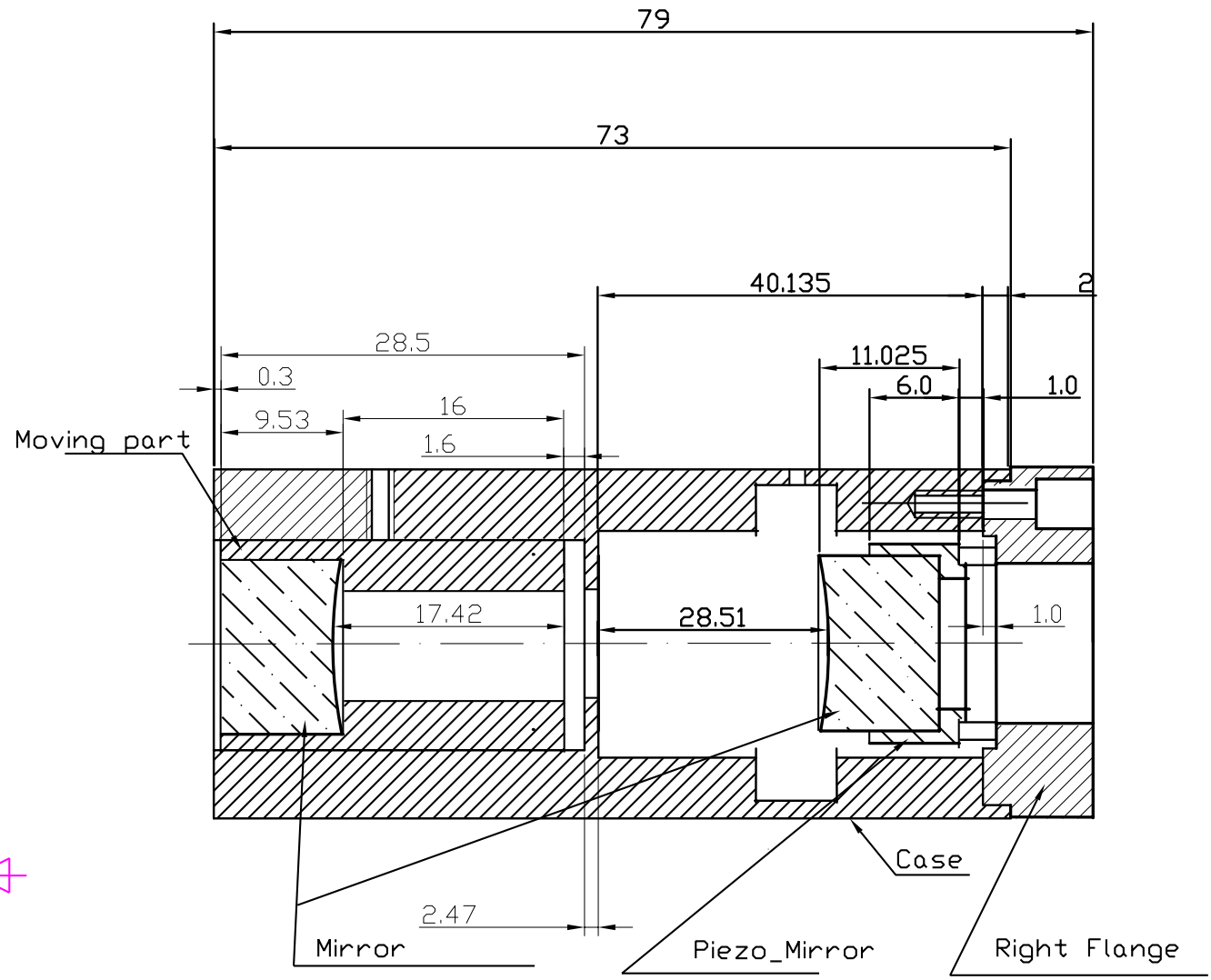


A
B
C
D
E
F

A
B
C
D
E
F



Itemref	Quantity	Title/Name, designation, material, dimension etc	Article No./Reference		
Designed by XXX	Checked by XXX	Approved by - date XXX - 00/00/00	File name XXX	Date 00/00/00	Scale 1:1
XXX			XXX		
			x		Edition Sheet