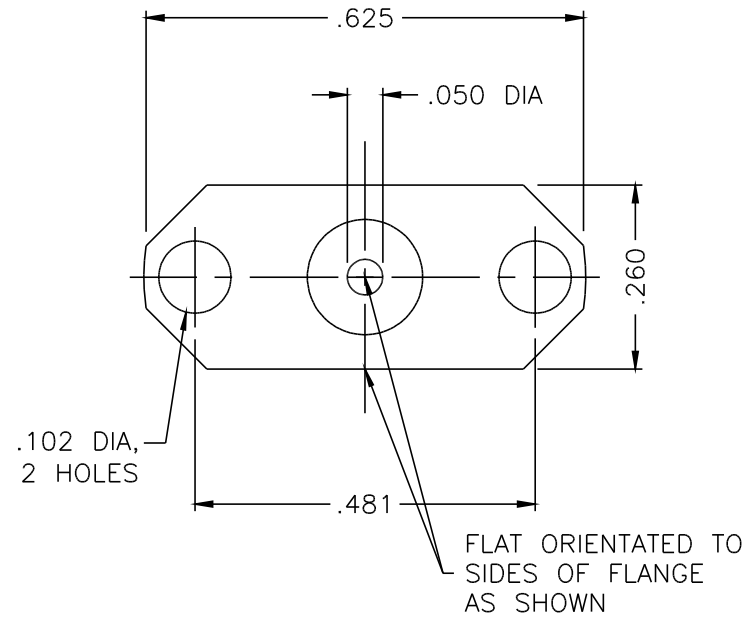
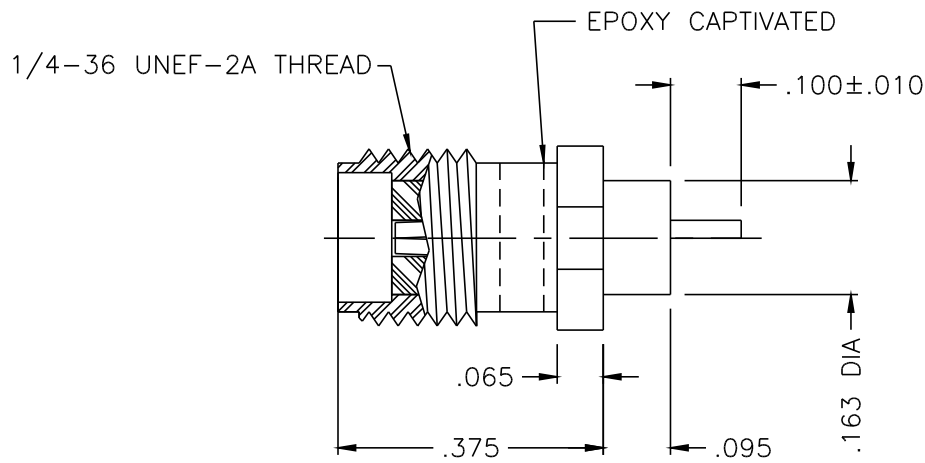




1358-000-K921-15



NOTES:

1. ASSEMBLED CONNECTOR INTERFACE IS DESIGNED IN ACCORDANCE WITH MIL-STD-348.
2. MATERIAL: BODY - CORROSION RESISTANT STEEL PER ASTM A582
CONTACT - BERYLLIUM COPPER PER ASTM B196.
INSULATOR - TEFLON PER ASTM D1710
3. FINISHES: BODY - PASSIVATE PER QQ-P-35
CONTACT - GOLD PLATE PER MIL-G-45204

UNLESS OTHERWISE SPECIFIED: TOLERANCES: 3 PLACES = ±.005, 2 PLACES = ±.02, ANGLES = ±1/2°, SURFACE FINISH = 63

| ALT. | REVISIONS | DATE |
|------|-----------|----------|
| - | OUTLINE | 12/15/00 |

| | | | | |
|--|--------------|------------------|-----------|--------------------------------|
| DELTA ELECTRONICS MFG. CORP. Beverly, MA 01915 | | | | |
| TITLE: 'SMA' PANEL MOUNTED JACK RECEPTACLE - HALF MOON POST CONTACT | | | | |
| Drawn by BJM 12/15/00 | Scale 4/1 | Ckd. by | Engr Appd | FILE NAME: 1358000K921-015T |
| CODE IDENT.-00795 | | 1358-000-K921-15 | | |

THESE DRAWINGS AND SPECIFICATIONS ARE THE PROPERTY OF DELTA ELECTRONICS MFG CORP. AND SHALL NOT BE REPRODUCED, OR COPIED OR USED AS THE BASIS FOR THE MANUFACTURE OR SALE OF APPARATUS OR DEVICES WITHOUT THEIR EXPRESS WRITTEN CONSENT.